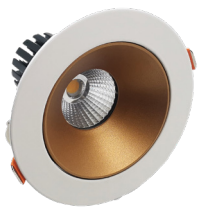


LRD SERIES RESIDENTIAL LIGHTING

- LRD-10W-27K-4WTR
- LRD-10W-30K-4WTR
- LRD-10W-35K-4WTR
- LRD-10W-40K-4WTR
- LRD-10W-50K-4WTR

Customer Name: _____
 Project Name: _____
 Note: _____ | Type: _____

4" LED ARCHITECTURAL WINGED OPEN RECESSED LIGHTS



MATTE GOLD



WHITE



BLACK ON BLACK



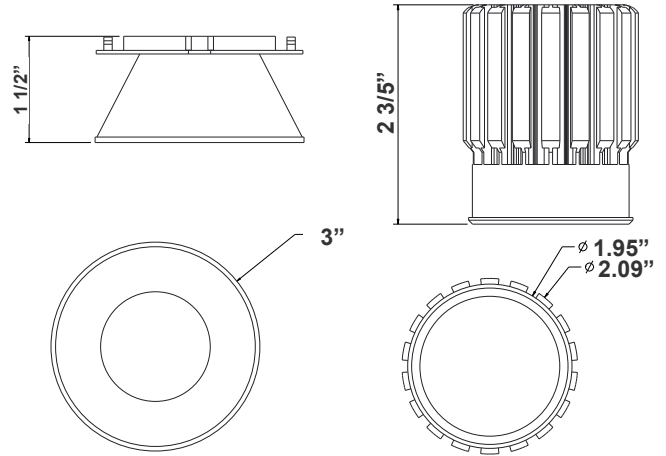
BLACK



CLEAR



MATTE SILVER



4 1/3" (H) X 3" (D)
Box Dimensions:
 5-1/4" x 1-5/8" x 1-1/8"
Junction Area Dimensions:
 2-1/16" x 1-5/8" x 1-1/8"

Ideal for New as well as old residential and commercial constructions.

Features

- 4" LED Winded Recessed Trim
- Die-Cast Aluminum With White Powder Coat Finish
- 5-Year Warranty
- Junction Box Included With Fixture

Technical Specifications

Electrical:

- Voltage: 120VAC
- Wattage: 10W
- Power Factor: >0.90
- Efficacy: Up to 70 LM/W

Mechanical:

- Up to 9 AWG18 Wires
- Die-Cast Aluminum With White Powder Coat Finish
- Clear Glass Lens
- Junction Box Rated Up to 9 AWG18 Wires
- Type IC Rated: Approved for Direct Contact With Insulation
- Operating Temperature: 104°F
- Air-Tight And Type IC Rated: No Housing Required
- Damp Location Approved

Lighting:

- Dimming: Dimmable Down to 10% Using Standard TRIAC LED Dimmer
- Total Lumens: 700LM
- Color Temperature: 2700K/3000K/3500K/4000K/5000K
- Color Rendering Index: >90
- Beam Angle: 24°
- Lifespan: 50,000 Hrs.

Applications:

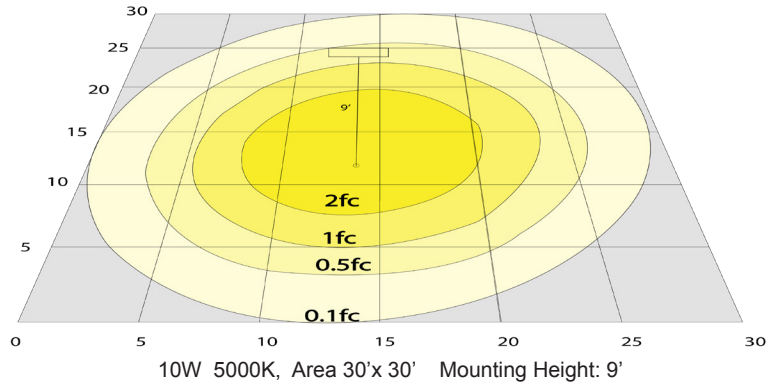
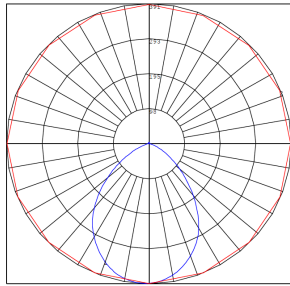
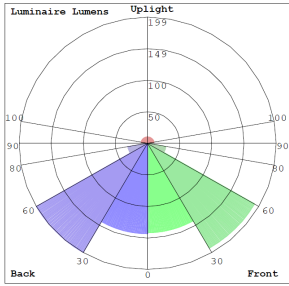
- Ideal for New as well as old residential and commercial constructions.

Other Models:

- 10W | 7000LM | LRD-10W-27K-4WTR-MG/WH/ABK/BK/C/HZ
- 10W | 7000LM | LRD-10W-30K-4WTR-MG/WH/ABK/BK/C/HZ
- 10W | 7000LM | LRD-10W-35K-4WTR-MG/WH/ABK/BK/C/HZ
- 10W | 7000LM | LRD-10W-40K-4WTR-MG/WH/ABK/BK/C/HZ
- 10W | 7000LM | LRD-10W-50K-4WTR-MG/WH/ABK/BK/C/HZ



Photometrics: LRD-10W-4WTR



BUG Rating: B1-U2-G0

Other Views:



LRD-WTR4-MG
LRD-WTR4-MG
LRD-WTR4-MG
LRD-WTR4-MG
LRD-WTR4-MG

LRD-EGN-10W-27K-D
LRD-EGN-10W-30K-D
LRD-EGN-10W-35K-D
LRD-EGN-10W-40K-D
LRD-EGN-10W-50K-D

LRD-10W-27K-4WTR-MG
LRD-10W-30K-4WTR-MG
LRD-10W-35K-4WTR-MG
LRD-10W-40K-4WTR-MG
LRD-10W-50K-4WTR-MG



LRD-WTR4-WH
LRD-WTR4-WH
LRD-WTR4-WH
LRD-WTR4-WH
LRD-WTR4-WH

LRD-EGN-10W-27K-D
LRD-EGN-10W-30K-D
LRD-EGN-10W-35K-D
LRD-EGN-10W-40K-D
LRD-EGN-10W-50K-D

LRD-10W-27K-4WTR-WH
LRD-10W-30K-4WTR-WH
LRD-10W-35K-4WTR-WH
LRD-10W-40K-4WTR-WH
LRD-10W-50K-4WTR-WH



LRD-WTR4-ABK
LRD-WTR4-ABK
LRD-WTR4-ABK
LRD-WTR4-ABK
LRD-WTR4-ABK

LRD-EGN-10W-27K-D
LRD-EGN-10W-30K-D
LRD-EGN-10W-35K-D
LRD-EGN-10W-40K-D
LRD-EGN-10W-50K-D

LRD-10W-27K-4WTR-ABK
LRD-10W-30K-4WTR-ABK
LRD-10W-35K-4WTR-ABK
LRD-10W-40K-4WTR-ABK
LRD-10W-50K-4WTR-ABK





+



=



LRD-WTR4-BK
LRD-WTR4-BK
LRD-WTR4-BK
LRD-WTR4-BK
LRD-WTR4-BK

LRD-EGN-10W-27K-D
LRD-EGN-10W-30K-D
LRD-EGN-10W-35K-D
LRD-EGN-10W-40K-D
LRD-EGN-10W-50K-D

LRD-10W-27K-4WTR-BK
LRD-10W-30K-4WTR-BK
LRD-10W-35K-4WTR-BK
LRD-10W-40K-4WTR-BK
LRD-10W-50K-4WTR-BK



+



=



LRD-WTR4-C
LRD-WTR4-C
LRD-WTR4-C
LRD-WTR4-C
LRD-WTR4-C

LRD-EGN-10W-27K-D
LRD-EGN-10W-30K-D
LRD-EGN-10W-35K-D
LRD-EGN-10W-40K-D
LRD-EGN-10W-50K-D

LRD-10W-27K-4WTR-C
LRD-10W-30K-4WTR-C
LRD-10W-35K-4WTR-C
LRD-10W-40K-4WTR-C
LRD-10W-50K-4WTR-C



+



=



LRD-WTR4-HZ
LRD-WTR4-HZ
LRD-WTR4-HZ
LRD-WTR4-HZ
LRD-WTR4-HZ

LRD-EGN-10W-27K-D
LRD-EGN-10W-30K-D
LRD-EGN-10W-35K-D
LRD-EGN-10W-40K-D
LRD-EGN-10W-50K-D

LRD-10W-27K-4WTR-HZ
LRD-10W-30K-4WTR-HZ
LRD-10W-35K-4WTR-HZ
LRD-10W-40K-4WTR-HZ
LRD-10W-50K-4WTR-HZ



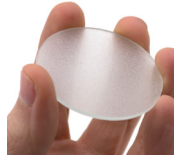
Performance Table: LRD-10W-4WTR

MODEL NO.	Wattage	Voltage	Lumens	Color Temp.	BUG Rating	LPW
LRD-10W-27K-4WTR	10W	120V	700LM	2700K	B1-U2-G0	70
LRD-10W-30K-4WTR				3000K		
LRD-10W-35K-4WTR				3500K		
LRD-10W-40K-4WTR				4000K		
LRD-10W-50K-4WTR				5000K		

Accessory:

Blank = No Option For Accessories
 LRD-FGL = LRD SERES FROSTED GUASS LENS
 RSL4-RI-13 = 4" ROUND ROUGH-IN PLATE, 13" LONG
 RSL4-RI = 4" ROUND ROUGH-IN PLATE, 26" LONG

Accessory:



LRD-FGL



RSL4-RI-13
 4" Round Rough-in Plate,
 13" Long



RSL4-RI
 4" Round Rough-in Plate,
 26" Long

Sample Ordering

Model	Wattage	Color Temp.	Size	Size
LRD	10W	<input type="text"/>	4WTR	<input type="text"/>
		27K = 2700K 30K = 3000K 35K = 3500K 40K = 4000K 50K = 5000K		MG = MATTE GOLD WH = WHITE ABK = BLACK ON BLACK BK = BLACK C = CLEAR HZ = MATTE SILVER

